

CP-UNC-TA51L3C

5MP IR Network Bullet Camera - 30Mtr.

- 1/2.7" 5MP PS CMOS Image Sensor (0.9407centimetres)
- Max. 5MP (2880 × 1620)@20fps and supports 2688 × 1520(2688 × 1520)@25/30fps.
- Instastream and Smart H.264+ dual-stream encoding
- DWDR, Day/Night (ICR), 3D-DNR, ROI, AWB, AGC, BLC, HLC
- 3.6mm lens (2.8mm optional)
- IR Range of 30 Mtrs, IP67, PoE
- Support Built-in Mic
- Mobile Software: iCMOB, gCMOB
- CMS Software: KVMS Pro



System Overview

With features of simple installation, easy operation, and high performance-cost ratio, This Series camera is applicable to small and medium-sized scenes, such as homes/residences, small-sized retail stores, and other small and medium-sized enterprises.

Functions

Power over Ethernet

This product uses the latest PoE technology to troubleshoot the occurrence of any issues in the system making it easier to use. With the help of this technology, your camera now only consumes energy directly from the power supply and doesn't require any mid-way switches.



CP-UNC-TA51L3C

5MP IR Network Bullet Camera - 30Mtr.

Functions

True Day/Night (ICR)

When the scene is too dark, the image is captured by illuminating an infrared light through the camera onto the scene that greatly helps with making the scene visible for the lens. It delivers color images during the day and automatically switches to the monochrome feature as the scene darkens.

Regions of Interest

Regions of Interest (ROI) is a user defined feature that allows the operator to monitor specific areas of a scene while still maintaining overall situational awareness of less important areas.

gCMOB/ iCMOB

Designed to allow users to access and control live streaming from CP PLUS IP Cameras, DVRs/ NVRs and Video Door Phones, the CP PLUS gCMOB/ iCMOB application offers a host of features such as Easy GUI, up to 16 live viewing split-ups; InstaOn cloud support; Playback; digital zoom ins; two-way talk, and more.

KVMS Pro

The KVMS Pro is a hybrid security management software that allows the management of various surveillance devices such as cameras, DVRs/ NVRs, encoders/ decoders, etc. It is released with the surveillance hardware and exclusively supports CP PLUS devices

About CP PLUS

The brand that is on its way to lead the world when it comes to the security and surveillance industry, CP PLUS, keeps bombarding the market with the most reliable range of products that have been designed carefully and methodically to automate the whole surveillance and security process, no matter how big your premises are.

It was the initiative to help the public in the area where they are the most vulnerable and to empower the sense of safety in our hearts that had conceptualized CP PLUS. And embarking on its mission to make the world a safer and more secure place has taken the brand's journey to unprecedented levels even when compared to international competitors.



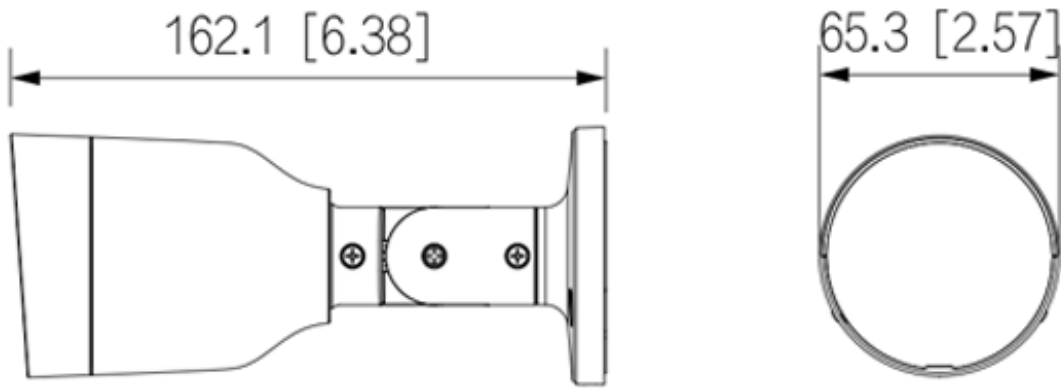
CP-UNC-TA51L3C

5MP IR Network Bullet Camera - 30Mtr.

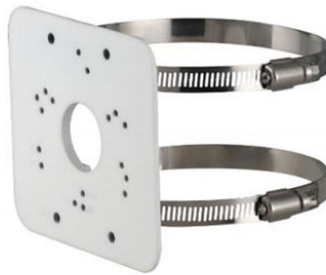
Feature	Specification
Image Sensor	1/2.7" 5MP Progressive scan CMOS (0.9407centimetres)
Effective Pixels	2880 (H) x 1620 (V)
Minimum Illumination	0.03 Lux@F2.0 (Color, 30 IRE) 0.003 Lux@F2.0 (B/W, 30 IRE) 0 Lux (IR on)
Shutter Speed	Auto/Manual, 1/3s ~1/100000s
S/N Ratio	>56dB
Image Rotation	0°/90°/180°/270° (Support 90°/270° with 1080P resolution and lower)
White Balance	Auto/natural/street lamp/outdoor/manual/regional custom
Lens	3.6mm (2.8mm Optional)
DORI Distance	3.6mm– 76m (Detect) 30.4m (Observe) 15.2m (Recognize) 7.6m (Identify) 2.8mm– 56m (Detect) 22.4m (Observe) 11.2m (Recognize) 5.6m (Identify)
Gain Control (AGC)	Auto/Manual
Mount Type	M12
Close Focus Distance	2.8mm: 0.8m ; 3.6mm: 1.3m
Iris Control	Fixed
Max. Aperture	F2.0
Lens Type	Fixed-focal
Video Compression	Instream/H.265/Smart H.264+/H.264/H.264B/MJPEG (only supported by the sub stream)
Back Light Compensation	BLC / HLC / DWDR
Angle of View	3.6mm: Horizontal: 92°; Vertical: 48°; Diagonal: 109° 2.8mm: Horizontal: 106°; Vertical: 56°; Diagonal: 125°
Video Streaming	Main stream: 2880 × 1620 (1 fps–20 fps) 2688 × 1520 (1 fps–25/30 fps) Sub stream: 704 × 576 (1 fps–25 fps) 704 × 480 (1 fps–30 fps) *The values above are the max. frame rates of each stream; for multiple streams, the values will be subjected to the total encoding capacity.
Resolution	2880 × 1620 (2880 × 1620); 2688 × 1520 (2688 × 1520); 2560 × 1440(2560 × 1440); 3M (2048 × 1536); 2304 × 1296 (2304 × 1296); 1080p (1920 × 1080); 1.3M (1280 × 960); 720p (1280 × 720); D1 (704 × 576/704 × 480); VGA (640 × 480); CIF (352 × 288/352 × 240)
Motion detection	OFF/ON (4 areas, rectangular)

Feature	Specification
Privacy Mask	4 areas
ICR	Auto (ICR)/ Color/B/W
Audio	Built-in Mic
Audio Compression	G.711A; G.711Mu; G.726; PCM
ROI	Yes (4 areas)
Bit Rate	H.264: 32 Kbps–6144 Kbps ; H.265: 12 Kbps–6144 Kbps
Protocol	IPv4; IPv6; HTTP; TCP; UDP; ARP; RTP; RTSP; SMTP; FTP; DHCP; DNS; NTP; Multicast, ONVIF (Profile S/Profile T); CGI; InstaOn; Genetec; Milestone
SDK and API	Yes
Cyber Security	Video encryption; configuration encryption; Digest; WSSE; account lockout; security logs; generation and importing of X.509 certification; HTTPS; trusted boot; trusted execution; trusted upgrade
Ethernet	RJ-45 (10/100Base-T)
Alarm Event	Network disconnection; IP conflict; illegal access; motion detection; video tampering; audio detection; security exception
User Account	6 (Total bandwidth: 48 M)
Smart Phone	iPhone, iPad, Android Phone
Browser	IE Chrome Firefox
IR Distance	IR Range of 30 Mtr., Smart IR
No. of IR LEDs	1
Edge Storage	FTP
Operating Temperature	-40° C ~ +60° C (-40° F ~ +140° F) / Less than <95% RH
Power Source	12V DC/PoE (802.3af)
Power Consumption	1.9W (12V DC); 2.3W (PoE)
Weatherproof Standard	IP67
Dimension	162.1 mm × Φ70.1 mm (6.38" × Φ2.76")
Casing	Metal
Weight	0.32 kg

Dimensions (mm/inch)



Accessories : Optional



CP-UA-B2P

Pole Mount