

35 SERIES

HC35W43R3

HC35W45R3

HC35W48R3



3MP/5MP/8MP IP WDR IR Rugged Mini Dome Camera



OPERATIONAL	
Video Standard	NTSC / PAL
Scanning System	Progressive
Image Sensor	HC35W43R3: 1/2.7" CMOS HC35W45R3/HC35W48R3: 1/2.8" CMOS
Sensor Size (H x V)	HC35W43R3: 4.608 mm x 2.592 mm HC35W45R3: 5.184 mm x 3.888 mm HC35W48R3: 5.568 mm x 3.132 mm
Number Of Pixels(H x V)	HC35W43R3: 2304 x 1296 HC35W45R3: 2592 x 1944 HC35W48R3: 3840 x 2160
Minimum Illumination (Color/BW)	HC35W43R3: 0.005 Lux / F1.6 (Color,30 IRE), 0 Lux / F1.6 (IR ON) HC35W45R3: 0.007 Lux / F2.0 (Color,30 IRE), 0 Lux / F2.0 (IR ON) HC35W48R3: 0.009 Lux / F2.0 (Color,30 IRE), 0 Lux / F2.0 (IR ON)
S/N Ratio	50 dB
Electronic Shutter Speed	1/8 ~ 1/32,000
IR Distance	up to 40 M
IR Light Control	Smart IR (Auto/Manual)/OFF
IR Light Number	2
Day/Night	Auto (ICR) / Color / BW
Backlight Compensation	WDR, BLC, HLC
White Balance	Auto / Tungsten / Fluorescent / Daylight / Shadow / Manual
Gain Control	0-100%
Wide Dynamic Range	120 dB
Noise Reduction	2D / 3D DNR
Lens	HC35W43R3: 2.8 mm Fixed Iris, F1.6 HC35W45R3/HC35W48R3: 2.8 mm, Fixed Iris, F2.0
Angle Of View	HC35W43R3: H:88°, V:47° HC35W45R3: H:93°, V:68° HC35W48R3: H:100°, V:54°
Privacy Masking	Off / On (4 Areas)
Defog	HC35W43R3: Not supported HC35W45R3/HC35W48R3: Supported
Local Storage	Micro SD (up to 256 GB)
Alarm Inputs/Outputs	HC35W43R3: Not supported HC35W45R3/HC35W48R3: 1 In / 1 Out
Pan Range	0°-330°
Tilt Range	0°-75°
Rotation Range	0°-337°

*For detailed information about frame rate and bit rate, please refer to the User Guide.

**Some development may be required in specific user cases to support some of these protocols in the field as they mature over time.

VIDEO		
Video Compression	H.265 HEVC/H.264/MJPEG, Smart Codec	
Resolution	HC35W43R3	1st: 2304 x 1296 / 1920 x 1080 / 1280 x 720 2nd: 704 x 576 (PAL) / 704 x 480 (NTSC) / 640 x 480 / 352 x 288 (PAL) / 352 x 240 (NTSC) 3rd: 640 x 480 / 352 x 288 (PAL) / 352 x 240 (NTSC) / 320 x 240
	HC35W45R3	1st: 2592 x 1944 / 2592 x 1520 / 1920 x 1080 / 1280 x 720 2nd: 704 x 576 (PAL) / 704 x 480 (NTSC) / 640 x 480 / 352 x 288 (PAL) / 352 x 240 (NTSC) 3rd: 1920 x 1080 (MAX 12fps) / 640 x 480 / 352 x 288 (PAL) / 352 x 240 (NTSC) / 320 x 240
	HC35W48R3	1st: 3840 x 2160 / 2592 x 1944 / 2592 x 1520 / 2560 x 1440 / 2304 x 1296 / 1920 x 1080 / 1280 x 720 2nd: 704 x 576 (PAL) / 704 x 480 (NTSC) / 640 x 480 / 352 x 288 (PAL) / 352 x 240 (NTSC) 3rd: 640 x 480 / 352 x 288 (PAL) / 352 x 240 (NTSC)
Number of Video Streams	3 (2 for encryption)	
Frame Rate*	MAX 30 fps	
Bit Rate*	HC35W43R3: 100K~6 Mbps HC35W45R3: 100K~12 Mbps HC35W48R3: 100K~16 Mbps	
AUDIO		
Audio Compression	HC35W43R3: Not supported HC35W45R3/HC35W48R3: G.711A/G.711U	
Audio Stream	HC35W43R3: Not supported HC35W45R3/HC35W48R3: 2-Way, Full duplex	
Audio Interface	HC35W43R3: Not supported HC35W45R3/HC35W48R3: Line In/Out	
NETWORK		
Ethernet	10 Base-T/100 Base-TX Ethernet (RJ-45)	
Supported Web Browsers	Chrome/Edge	
Supported OS	Microsoft Windows 10	
Protocols**	IPv4, IPv6, TCP / IP, HTTP, HTTPS, RTSP / RTP / RTCP, IGMP / Multicast, SMTP, DHCP, NTP, DNS, QoS, SNMP, 802.1X, UDP, ICMP, ARP, TLS	
Interoperability	ONVIF Profile G/S/T	
Maximum Users Access	10 Users	
Security	User account and password protection, HTTPS, IP Filter, Digest authentication, TLS1.2 only, Stream encryption, AES128 / 256, SSH / Telnet closed, PCI-DSS compliance	
Languages Supported	Arabic, Czech, Dutch, English, French, German, Italian, Japanese, Korean, Polish, Portuguese (Brazil), Russian, Spanish, Turkish	

Honeywell

35 SERIES 3MP/5MP/8MP IP WDR IR RUGGED MINI DOME CAMERA

EVENTS / ANALYTICS	
Built-in Video Analytics	HC35W43R3: Motion Detection, Tampering HC35W45R3/HC35W48R3: People Counter, Multi Loitering, Intrusion, Tampering, Smart Motion Detection (SMD), Motion Detection
Event Type	HC35W43R3: Video motion detection, Recording notification HC35W45R3/HC35W48R3: Video motion detection, Alarm input, Recording notification, Tampering
Event Linkage	HC35W43R3: Event notification using Email and MicroSD card HC35W45R3/HC35W48R3: Event notification using digital output, Email and MicroSD card
Region Of Interest	8

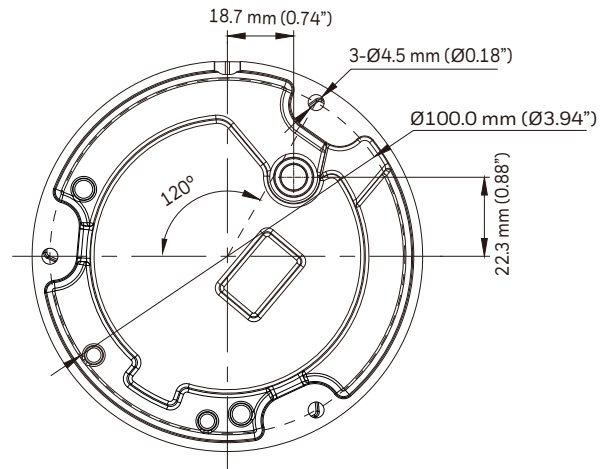
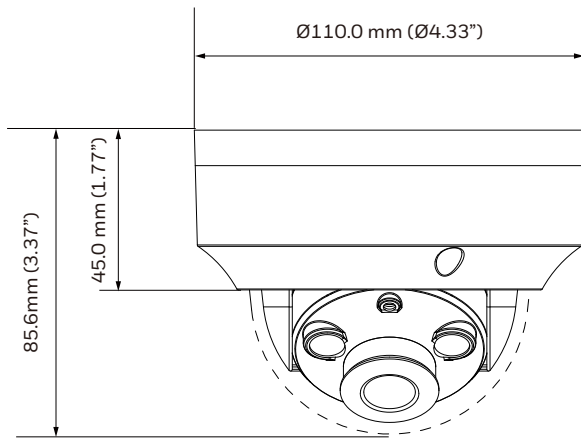
ELECTRICAL	
Power Supply	DC12V, PoE (IEEE 802.3af) (Class 0)
Power Consumption (Max)	HC35W43R3: MAX 3.6 W HC35W45R3: MAX 4.08 W HC35W48R3: MAX 5.5 W

MECHANICAL	
Dimensions	Ø110.0 mm × 85.6 mm (Ø4.33" × 3.37")
Dome Diameter	Ø78.2 mm (3.08")
Product Weight	0.56 kg (1.23 lb)
Package Weight	0.65 kg (1.43 lb)
Body Material	Die-cast aluminium housing
Color	Camera Body: RAL 9003 (Signal White) Front/Lens Facings: Pantone Black

ENVIRONMENTAL	
Operating Temperature	Starting Temperature: -40°C ~ 60°C (-40°F ~ 140°F) Working Temperature: -40°C ~ 60°C (-40°F ~ 140°F)
Relative Humidity	Less than 90 %, non-condensing
Ingress Protection	IP67
Impact Resistance	IK10

REGULATORY	
Emissions	FCC PART 15, CE (EN 55032), Complies with RCM and UKCA
Immunity	CE(EN 50130-4), Complies with RCM and UKCA
Safety	UL LISTED TO UL/CSA 62368-1, CE(EN 62368-1), Complies with RCM and UKCA
RoHS	CE (EN 63000), UAE(Cabinet Decree No.10 of 2017)
Country of Origin	Vietnam

DIMENSIONS



35 SERIES 3MP/5MP/8MP IP WDR IR RUGGED MINI DOME CAMERA

RECOMMENDED ACCESSORIES AND ORDERING

SYSTEM INTEGRATION*	
Pro-Watch NVR	Up to 256 IP channels RAID5 / 6 Enterprise NVR
MAXPRO NVR PE	Up to 128 IP channels RAID5 / 6 Enterprise NVR
MAXPRO NVR SE	Up to 64 IP channels System NVR
MAXPRO NVR XE	Up to 16 IP channels System NVR
MAXPRO NVR SOFTWARE	Up to 128 IP channels Recording Software
Honeywell DVM	Support with Honeywell DVM R7 10.1 (and later maintenance releases)
30 Series NVR	Integration with 30 Series NVR
35 Series NVR**	Integration with 35 Series NVR

OPTIONAL MOUNTS AND ACCESSORIES	
HA35PMC03	35S fixed camera cap, 1.5NPT male
HA60JCBH1	60S junction box
HA35CLM01	35S Ceiling mount base with adapter
HA35CLM02	35S ceiling mount extension ,252mm
HA60WLMB1	60S wall mount bracket, 1.5NPT female
HA60PLMZ	60S pole mount adapter
HA60CNMZ	60S corner mount adapter

*Refer to the NVR integration matrix for more information.

**35 Series NVR will be released in June 2022.

ORDERING	
HC35W43R3	3 MP IR Rugged Mini Dome Camera, WDR 120dB, 2.8mm, POE, DC12V, IK10
HC35W45R3	5 MP IR Rugged Mini Dome Camera, WDR 120dB, 2.8mm, POE, DC12V, Audio & Alarm In/Out, IK10
HC35W48R3	8 MP IR Rugged Mini Dome Camera, WDR 120dB, 2.8mm, POE, DC12V, Audio & Alarm In/Out, IK10

For More Information

www.honeywellbuildings.in

Email: HBT-Indiabuildings@honeywell.com

Honeywell HBT India Buildings

Unitech Trade Center, 5th Floor, Sector-43

Block C, Sushant Lok Phase - I,

Gurgaon - 122 002.

Tel : 000-8000-502167

www.honeywell.com



ONVIF and the ONVIF logo are trademarks of ONVIF Inc.
HEVC Advance logo is a trademark of HEVC Advance
Honeywell reserves the right, without notification, to
make changes in product design or specifications.

HSV-HC35W4xR3-01-IN(0622)DS-Y
© 2022 Honeywell International Inc.

Honeywell